

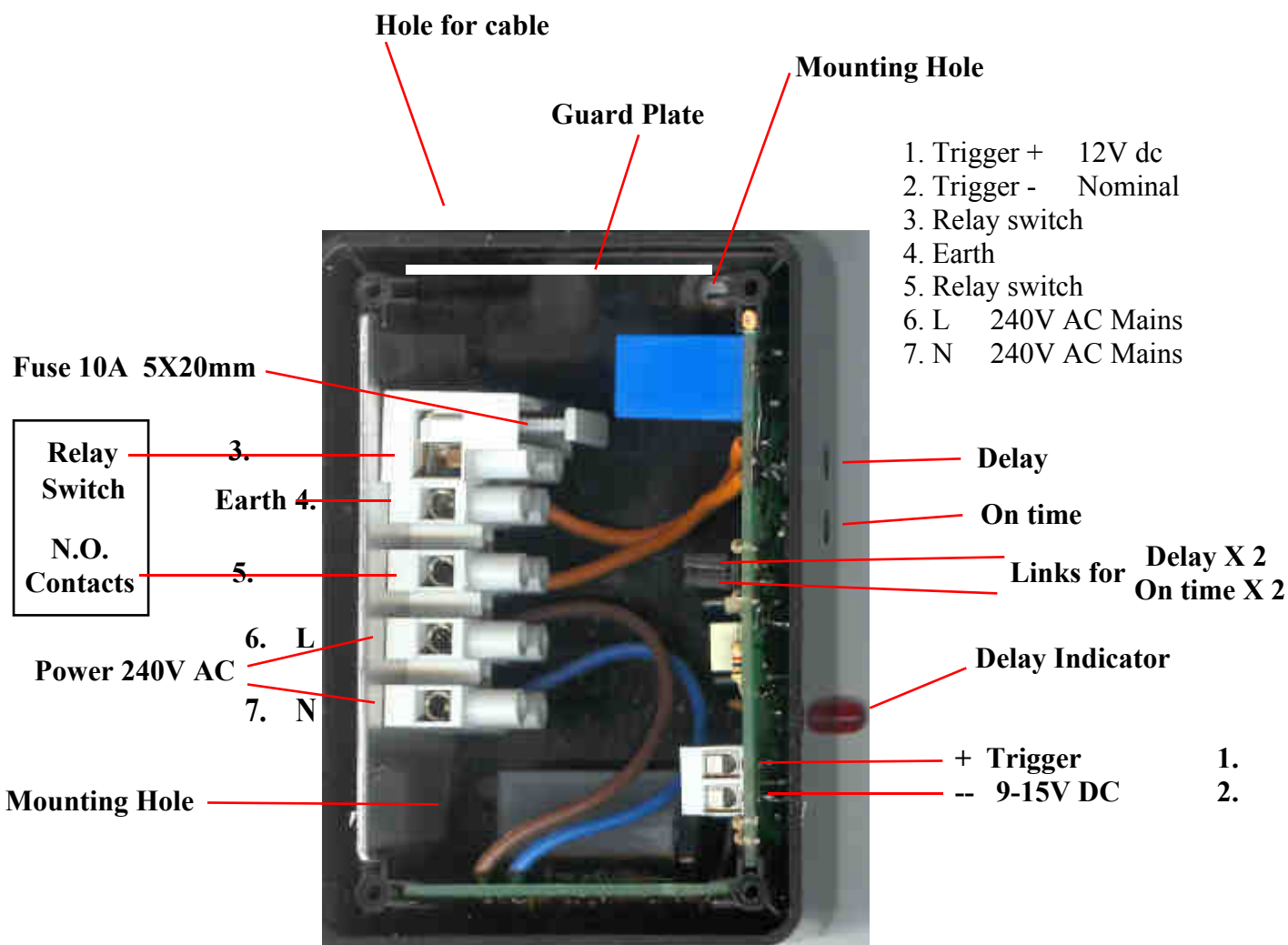
Function Timer 2d

© Sutcliffe Electronics

WWW.sutcliffeelectronics.co.uk

01/02/05

CE Made in UK



- Power Input:- 240V Mains (live working) The circuit has a fused link, Factory repairable only.
- Relay:- Single Pole N.O. Rated 10A 250V resistive. Isolated Contacts. Protected by a fuse.
- Fuse:- 10A 5X20mm
- Trigger:- Opto isolated trigger 12V DC into 470 ohms
- Timers:- An initial start delay of 1 sec to 2 mins, 2 mins to 4 mins. Followed by an on period of 1 sec to 5 mins, 5 mins to 10 mins, Adjustable by small preset controls. (Anticlockwise for short timing.) These are doubled by removing the required jumper link.
- Functions:- 1) On power in:- Delay - On period - Off - Turn off power to reset, or as in 2
 2) Permanently Connected:- Trigger - Delay - On period - Off - Retrigger to repeat cycle

You will find on opening the housing, that the electronics can be lifted out. This is to facilitate easy mounting.

Make sure the boards are slid correctly into the slots when replacing.

Screw Terminals and Presets:- You will find the screwdriver issued with the kit is suitable for both functions.



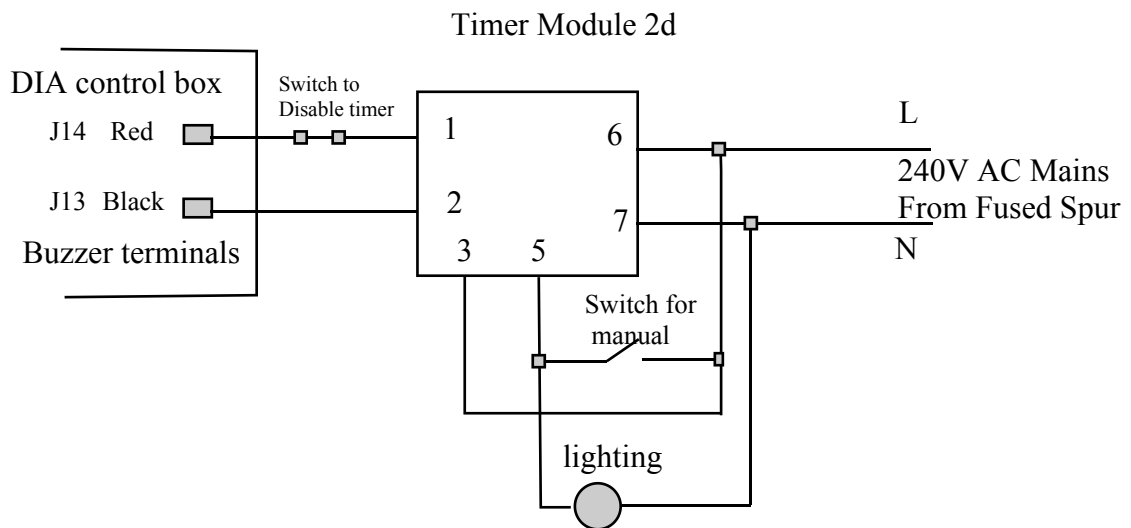
Cables:- For safety, drill a hole in the guard plate such that it is a snug fit round the cables, or if you route the cable through the back, leave it undrilled to cover the hole.

ISOLATE FROM THE MAINS BEFORE UNSCREWING THE COVER.

Wiring Diagrams for © Sutcliffe Electronics 02/02/05 Function Timer 2d

Diawir5b

1. No Photocell



2. With Photocell

